



**5013**

MILITARY MINIATURE SERIES

**RFM**  
RYEFIELD MODEL®

**Egyptian 122 mm  
Self-Propelled Gun**

**1/35  
SCALE**

**T-34/122**

埃及T-34-122 自行榴彈炮  
T-34-122 自走砲 エジプト軍

**ASSEMBLY ICONS**



OPTIONAL  
选择



CEMENT  
膠水



DO NOT CEMENT  
不使用膠水



INSTANT CEMENT  
瞬間接著劑



BEND  
彎折



MAKE 2  
製作2組



OPEN HOLE  
鑽孔



REMOVE  
切除



BE CAREFUL  
注意



APPLY DECAL  
貼上水貼紙

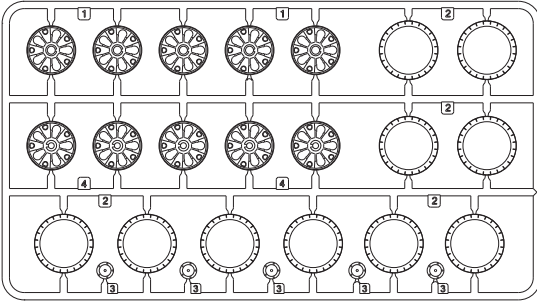
**CAUTION!**

Read carefully and fully understand the instructions before commencing assembly.  
Supervising adult should also read the instructions if a child assembles the model.  
When you used glue or paint, do not use near a naked flame, and use in a well-ventilated room.  
When assembling this kit, tools including knives are used. Extra care should be taken to avoid personal injury.  
Read and follow the instructions supplied with paints and/ or cement. Use plastic cement and paints only.  
Keep out of reach of small children. Children must not be allowed to suck any part, or pull vinyl bag over the head.

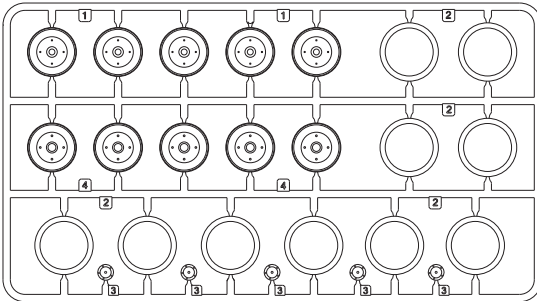
在裝配前仔細閱讀說明並完全理解。小孩裝配時需成人看護且需仔細閱讀說明。  
使用膠水和油漆時，應遠離火源並打開窗戶保持空氣流通。  
製作時請格外注意工具刀和零件的鋒利尖銳部分，避免對身體造成傷害。  
在使用膠水和油漆前仔細閱讀注意事項，按照說明正確使用膠水和油漆。  
請將本品放在兒童接觸不到的地方，套件中的塑膠包裝袋會對兒童造成窒息的危險。

**PARTS · 部品图**

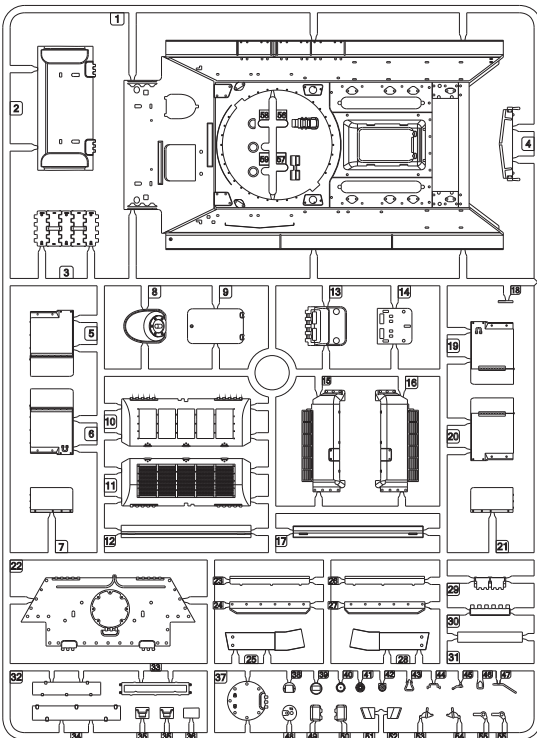
**A X 2**



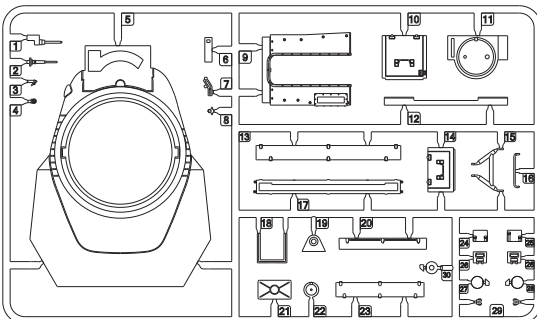
**B X 2**



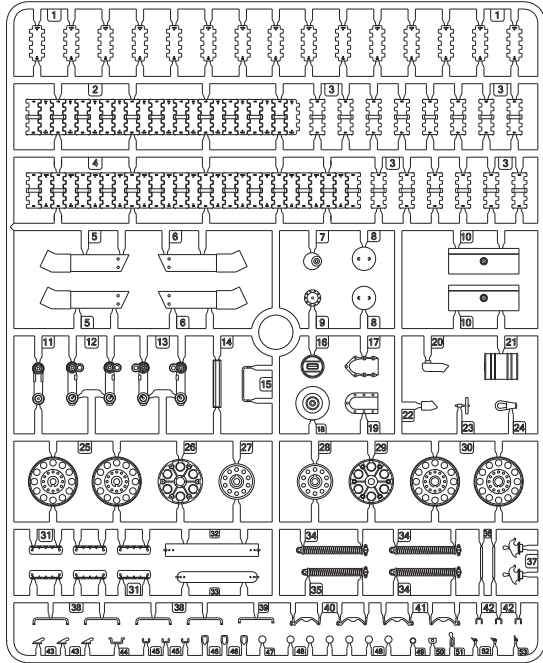
**D X 1**



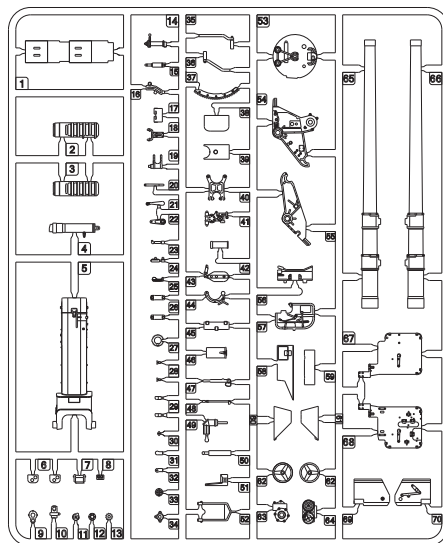
**E X 1**



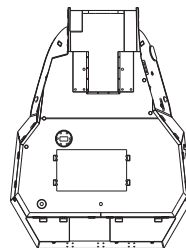
**C X 2**



**F X 1**



**Upper Turret X 1**



**Mantlet X 1**



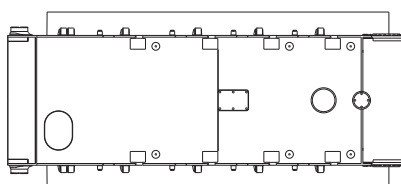
**Metal Cable X 1**

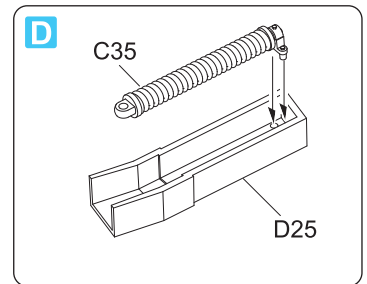
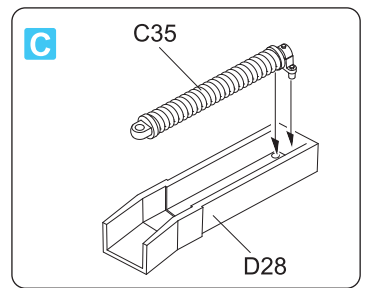
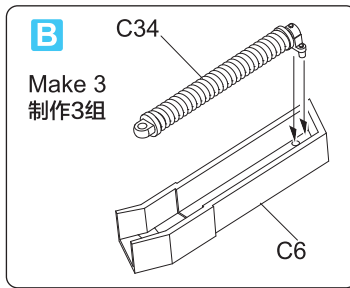
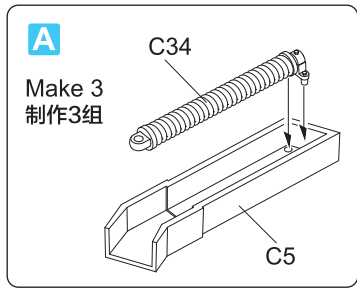


**Photo Etched X 1**

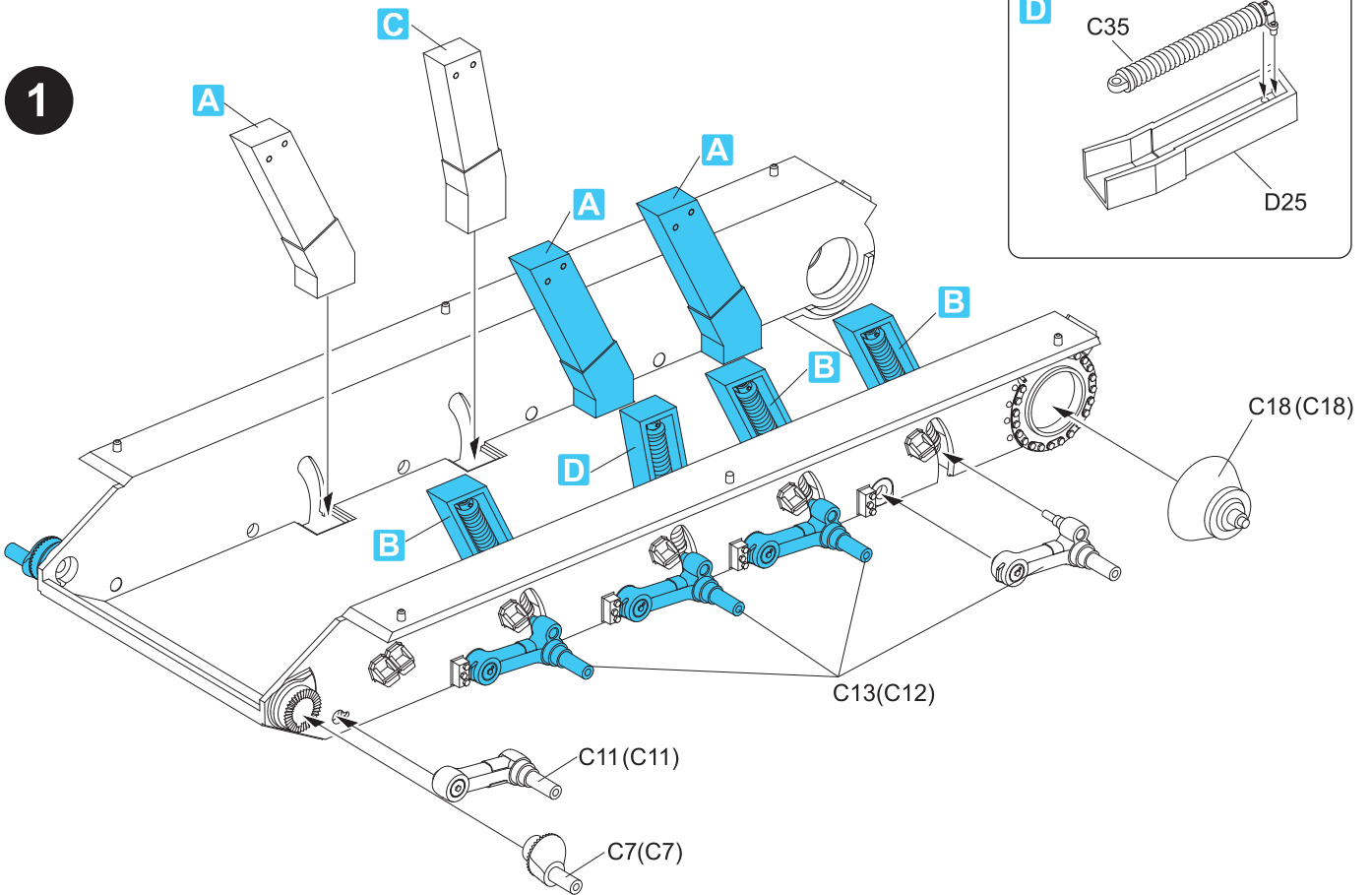


**Lower Hull X 1**

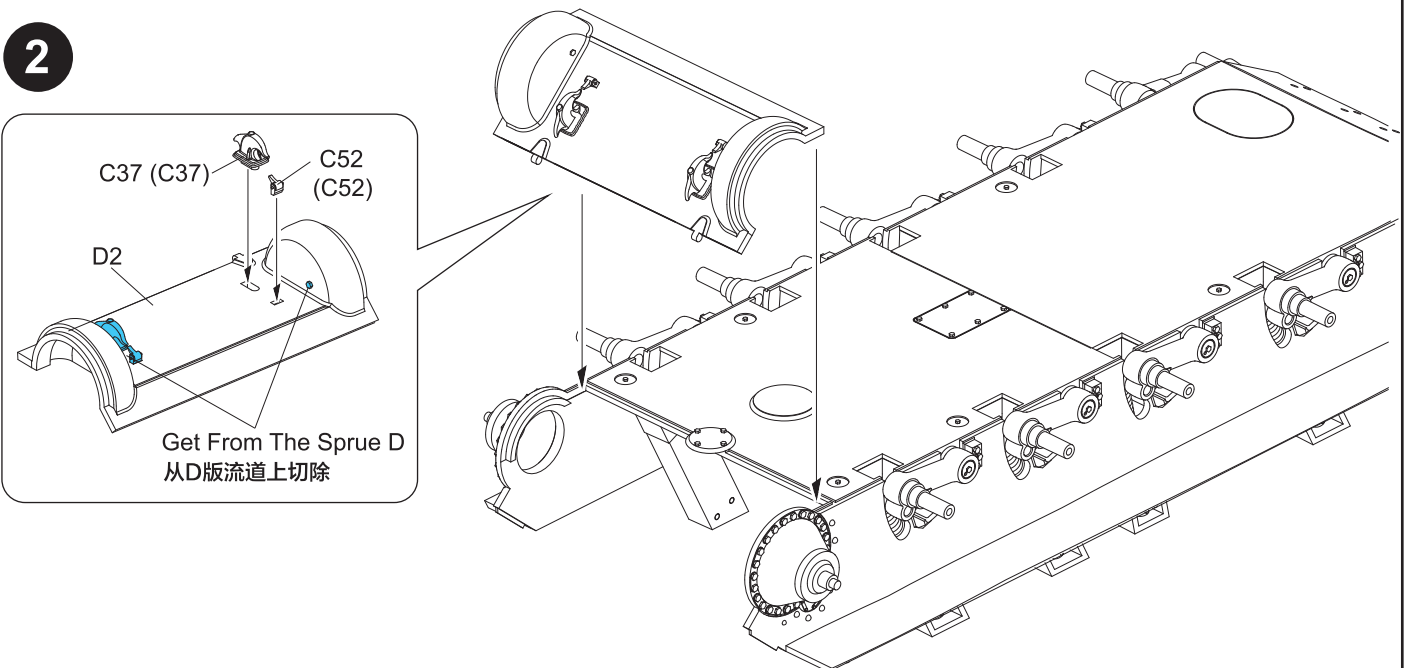




**1**

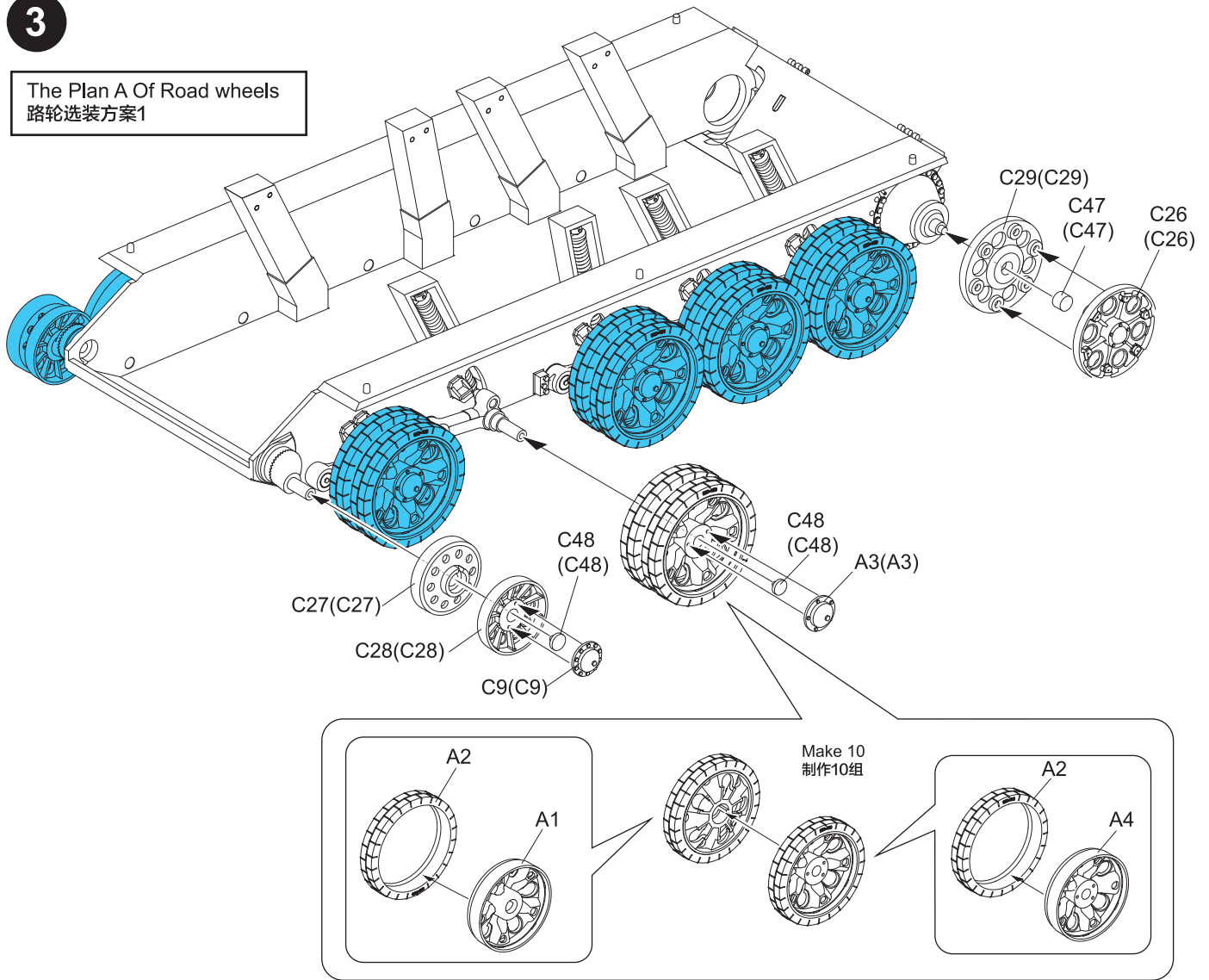


**2**



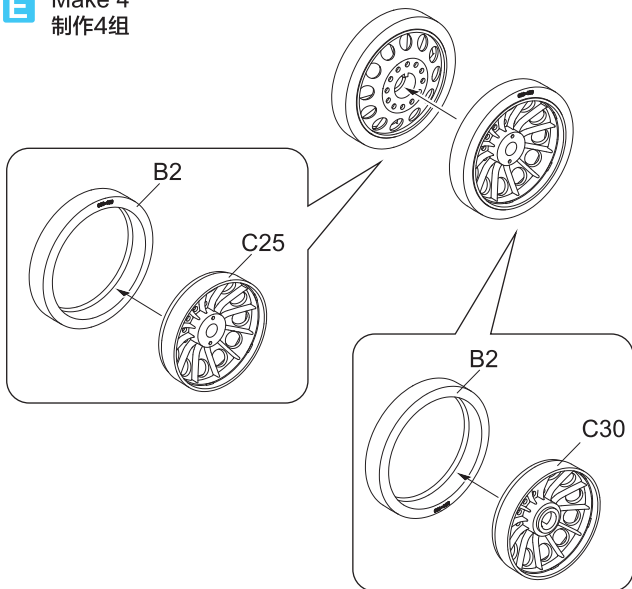
3

The Plan A Of Road wheels  
路轮选装方案1

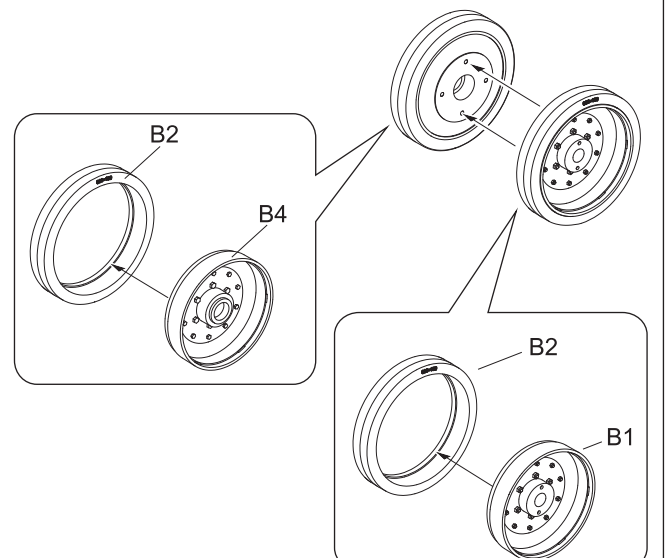


The Plan B Of Road wheels  
路轮选装方案2

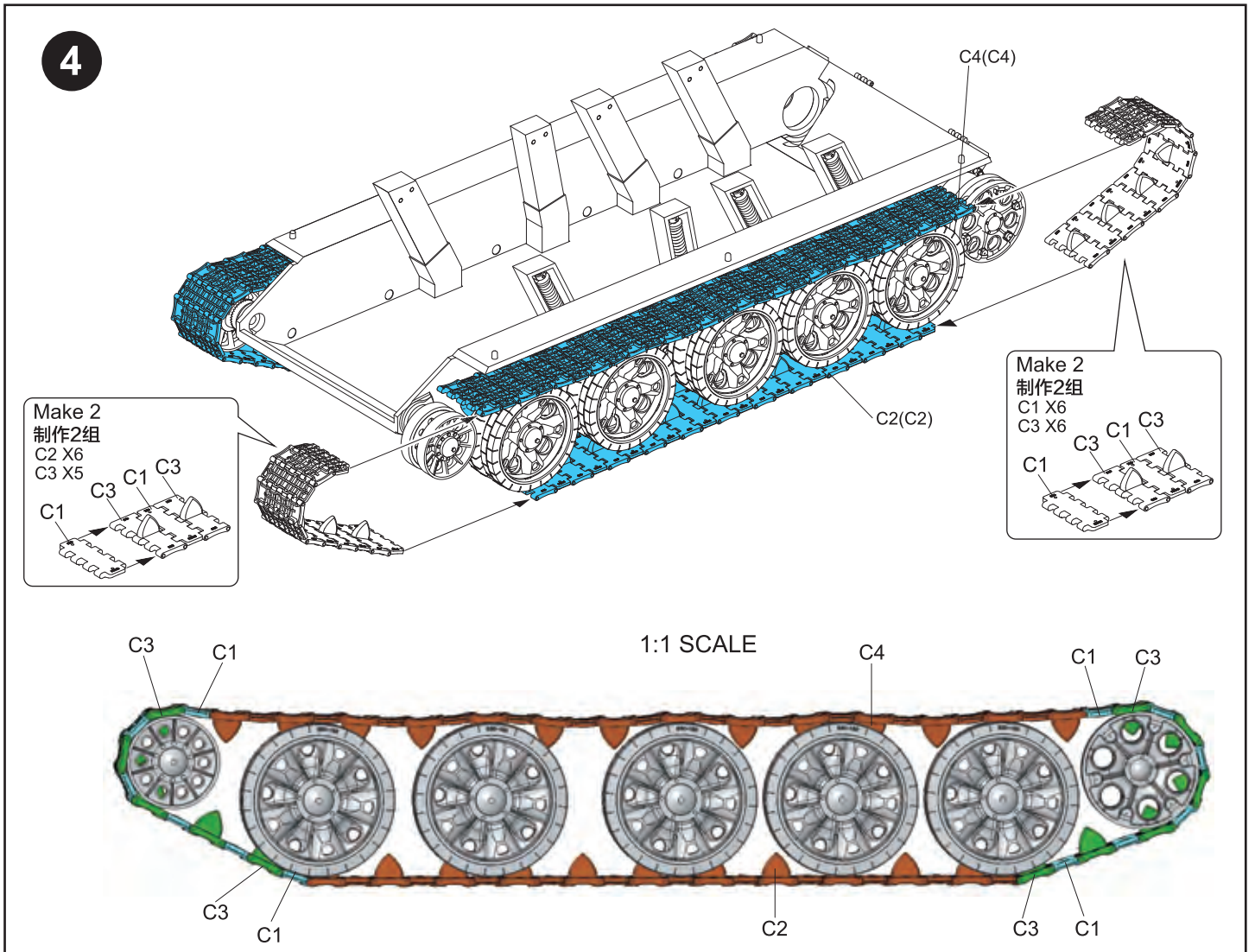
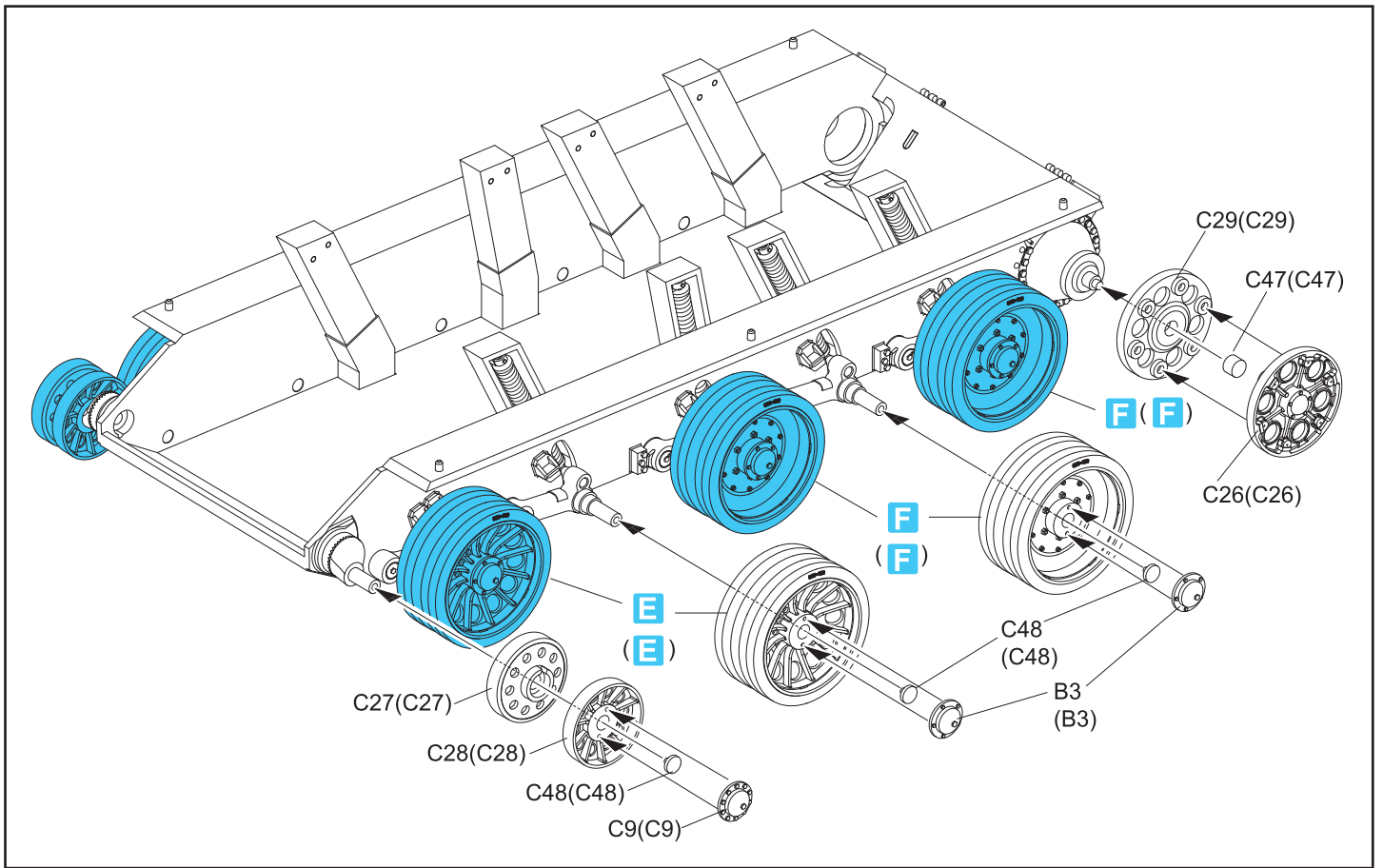
E Make 4  
制作4组



F Make 6  
制作6组









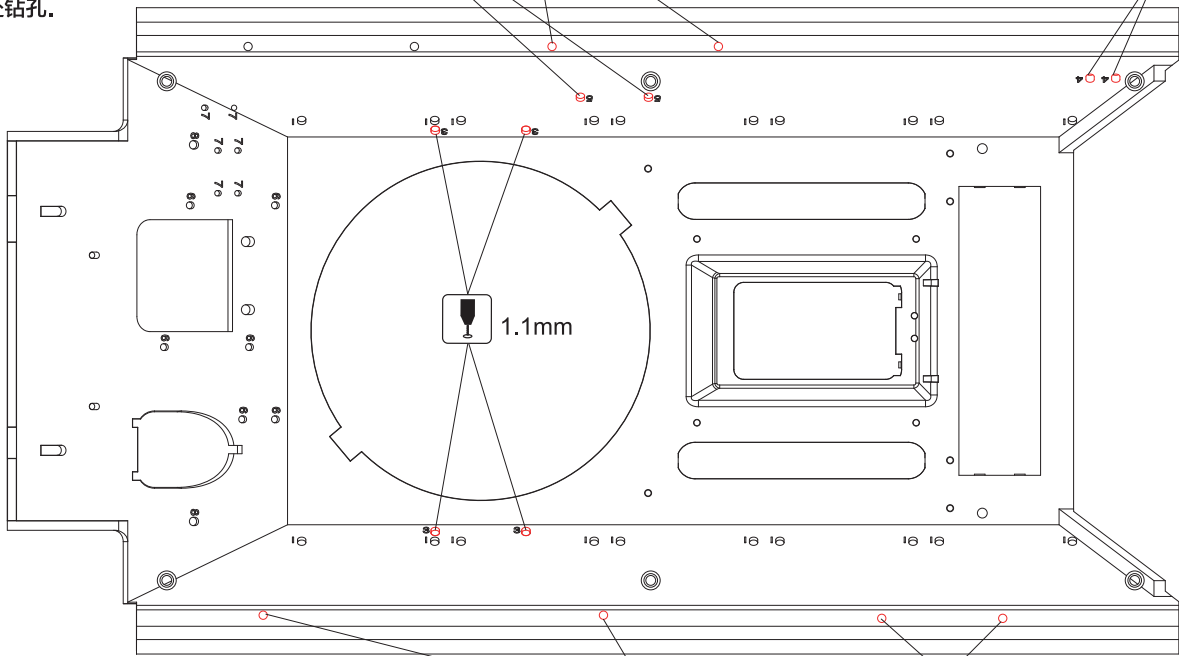
Please drill hole if you choose assembly the parts E21 & E24 & E25 on page 11.  
如果选装第11页的E21+E24+E25, 请在此处钻孔。



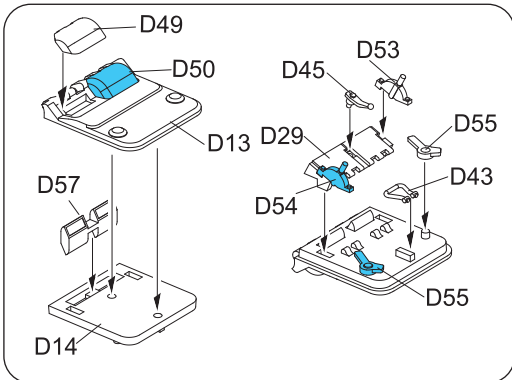
Please drill hole if you choose assembly the parts E20 & E23 & E26 on page 11.  
如果选装第11页的E20+E23+E26, 请在此处钻孔。



1.1mm

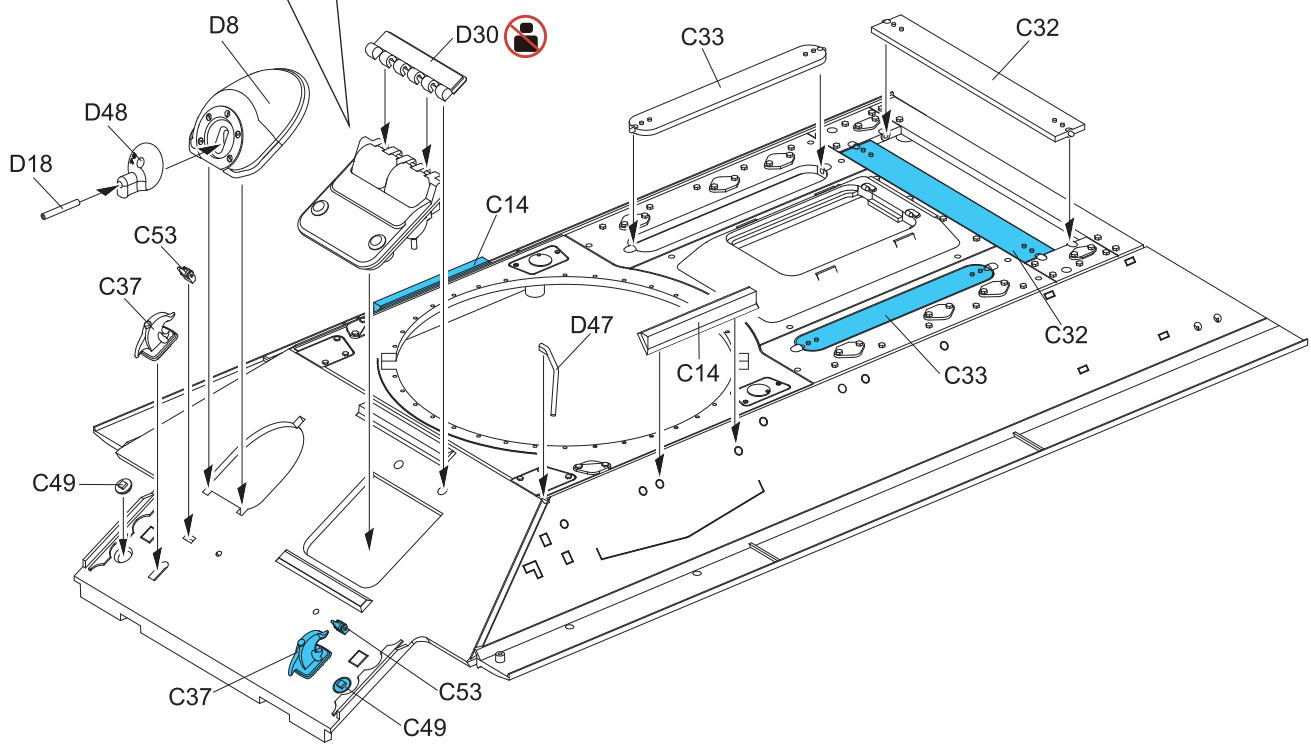


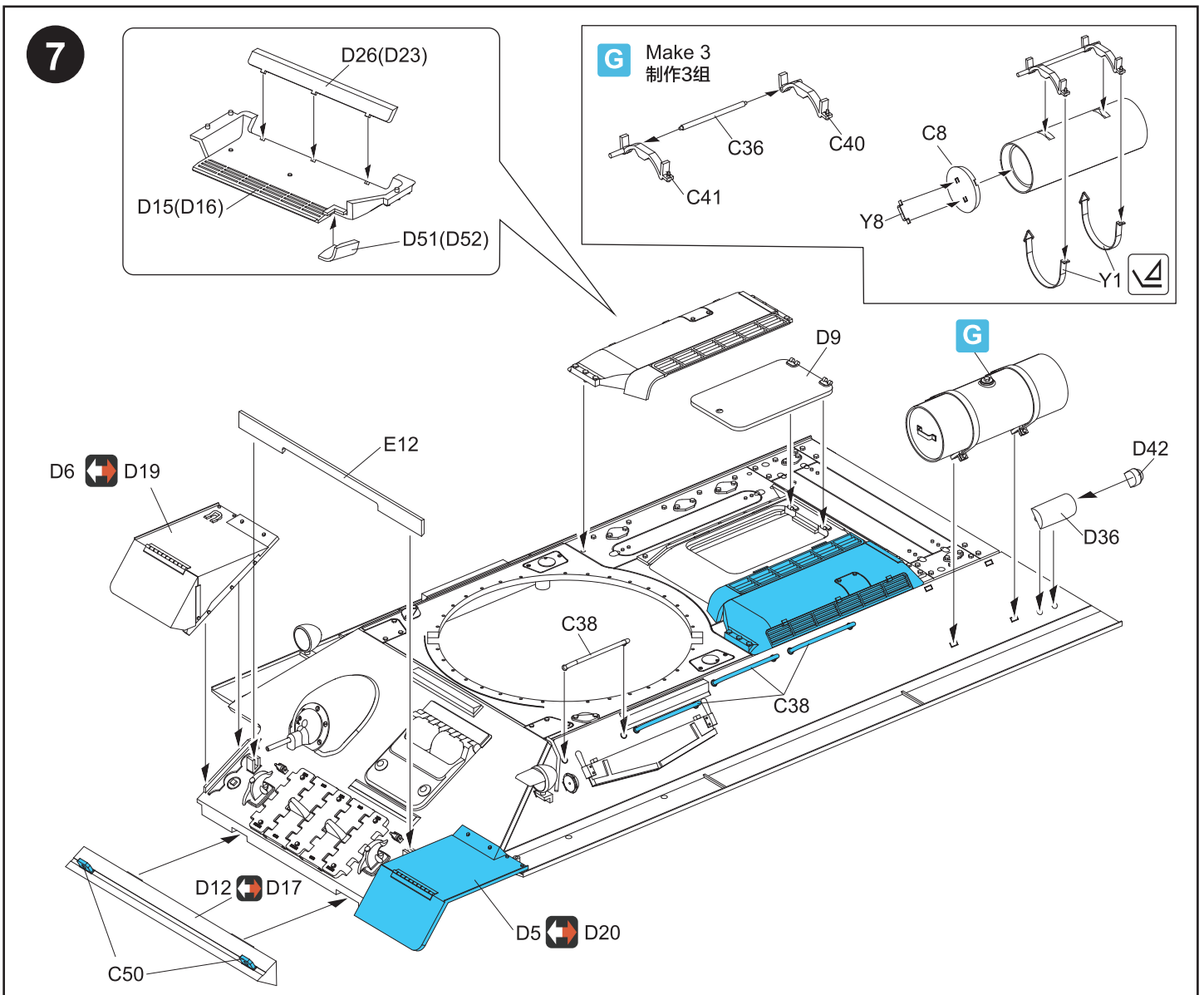
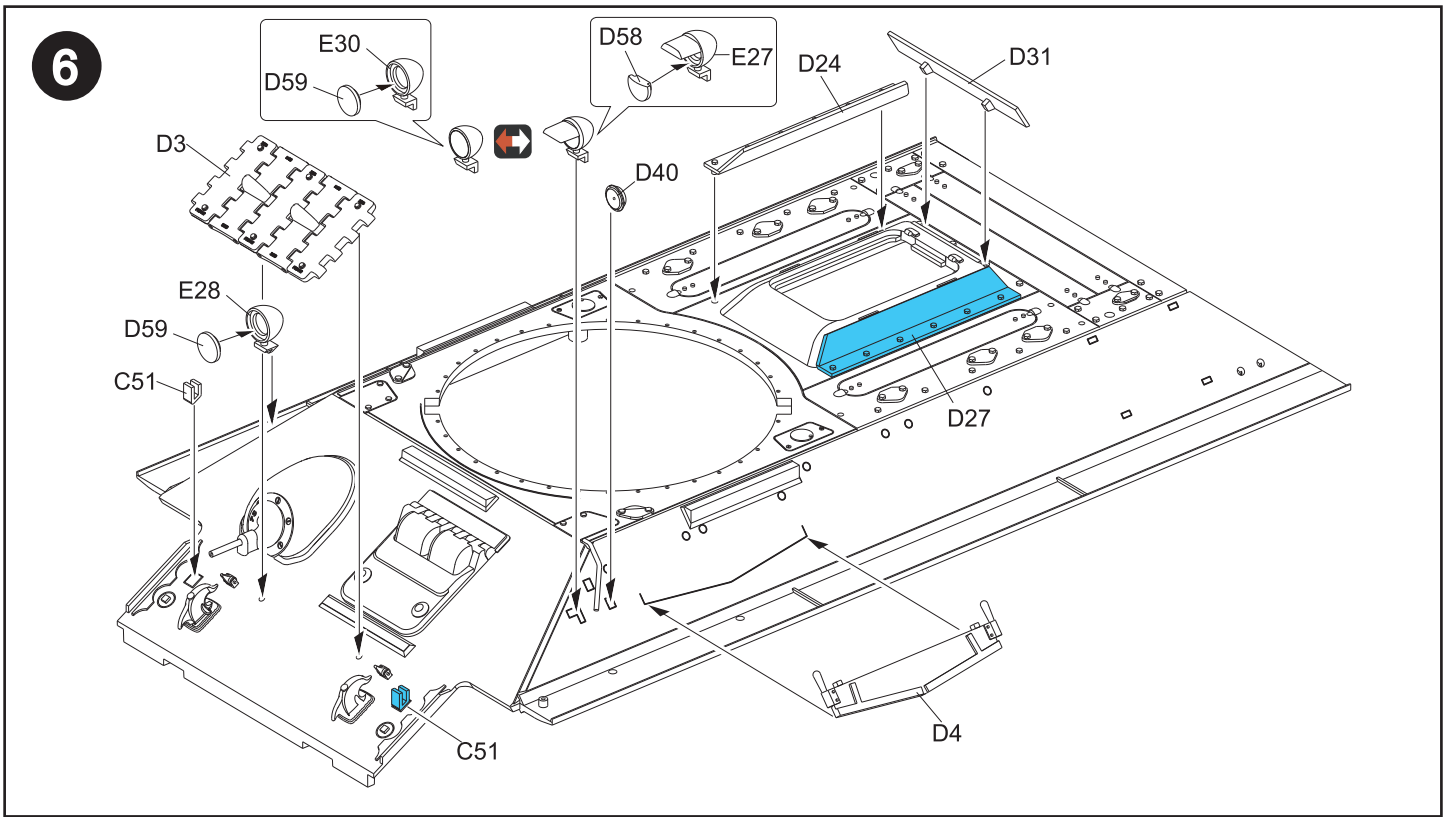
1.1mm



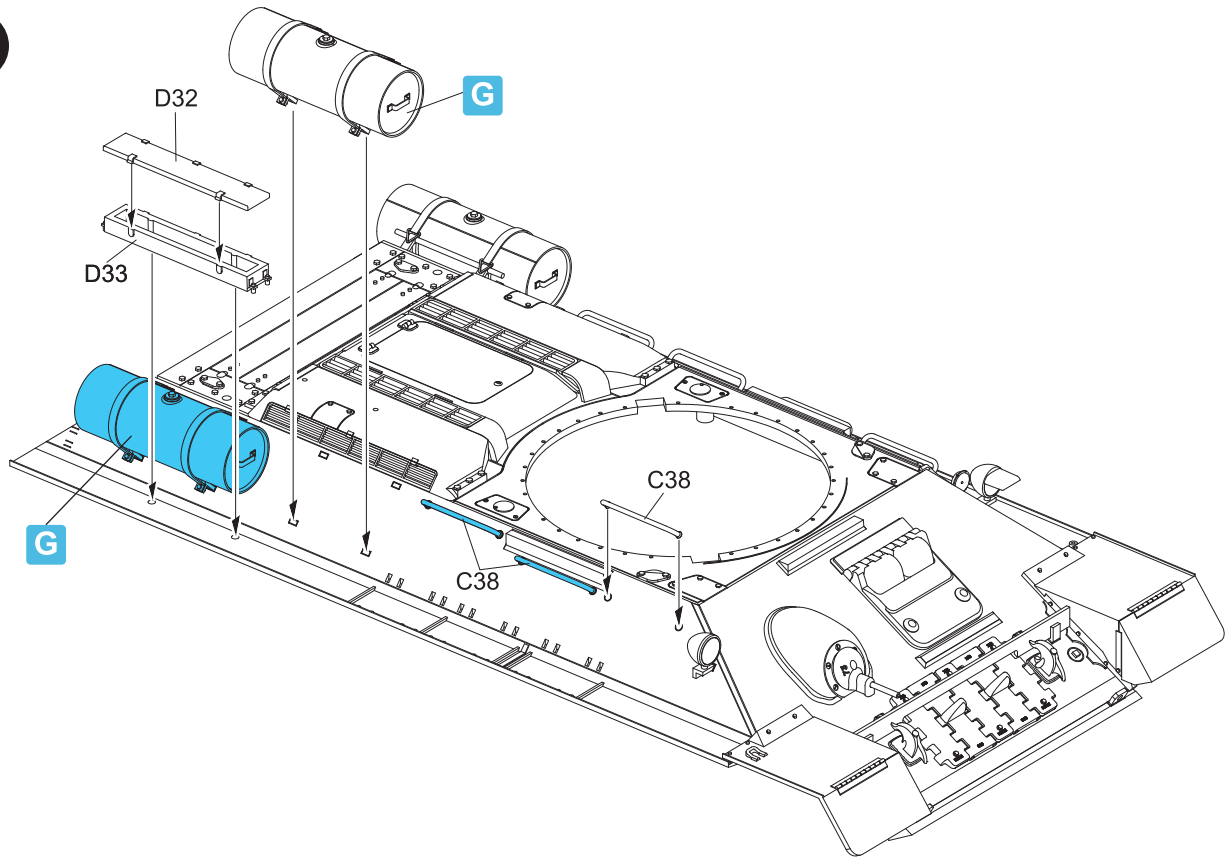
Please drill hole if you choose assembly the parts E13 and E17 on page 10.  
如果选装第10页的E13+E17, 请在此处钻孔。

**5**

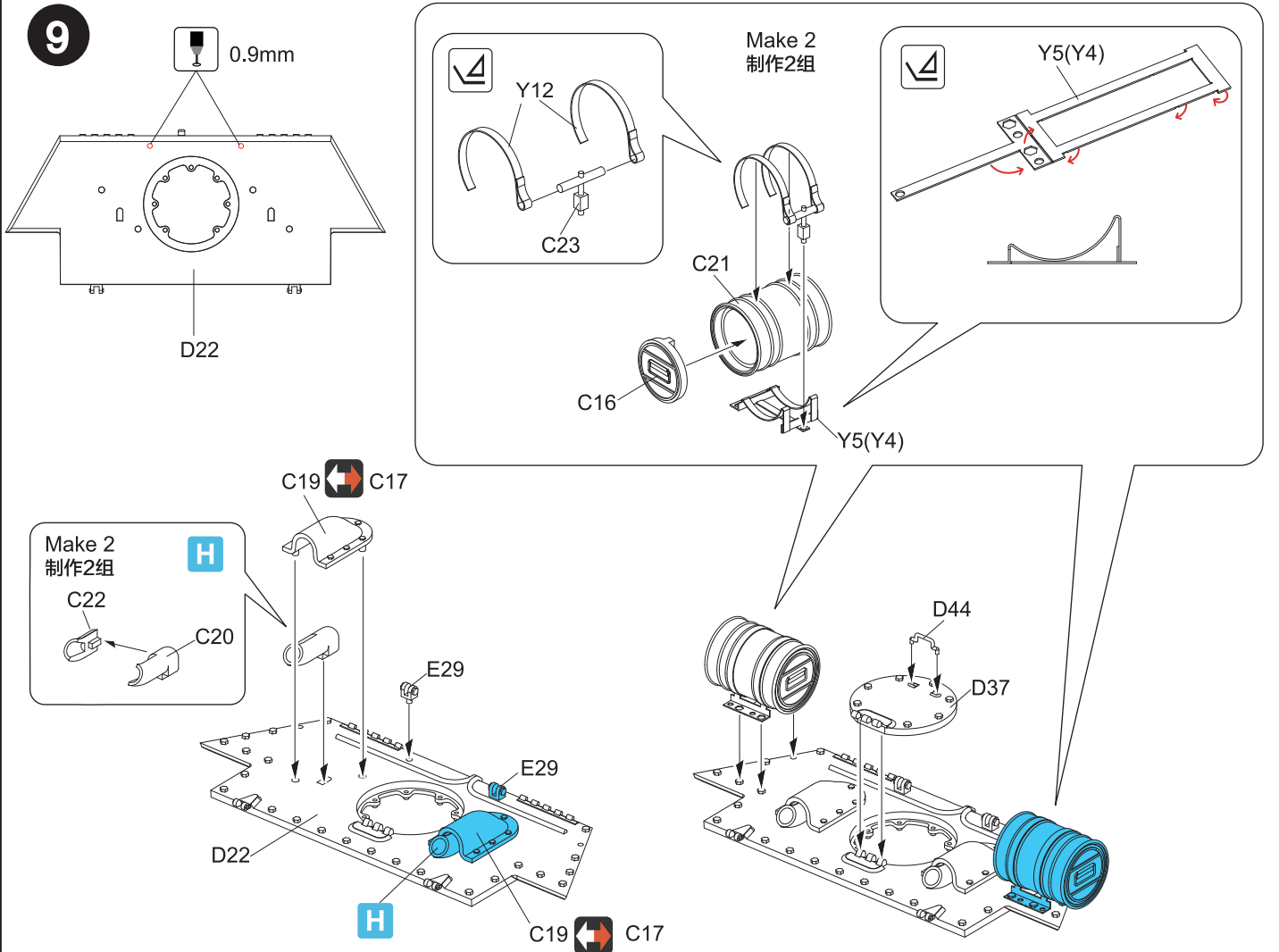




8

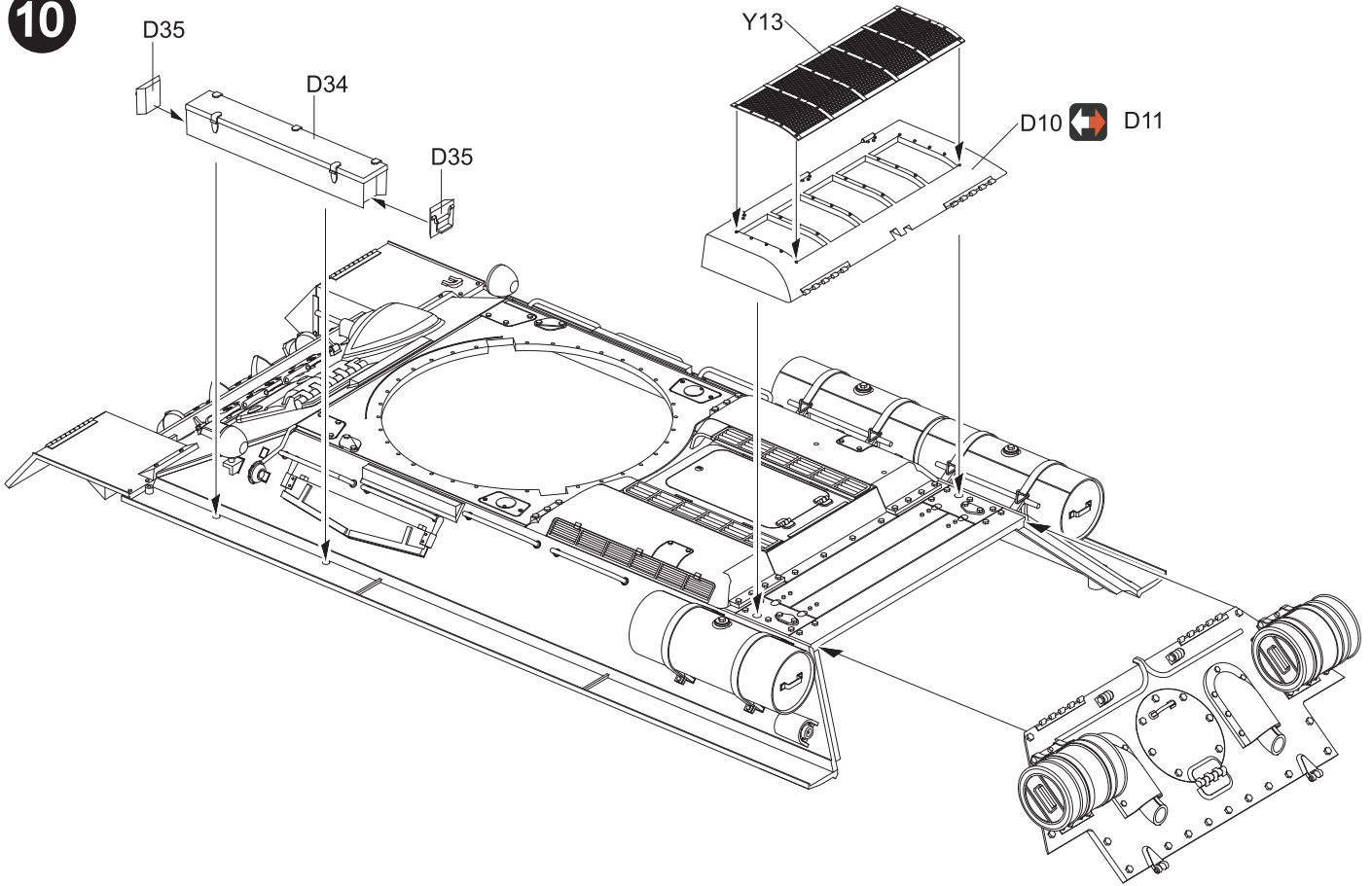


9

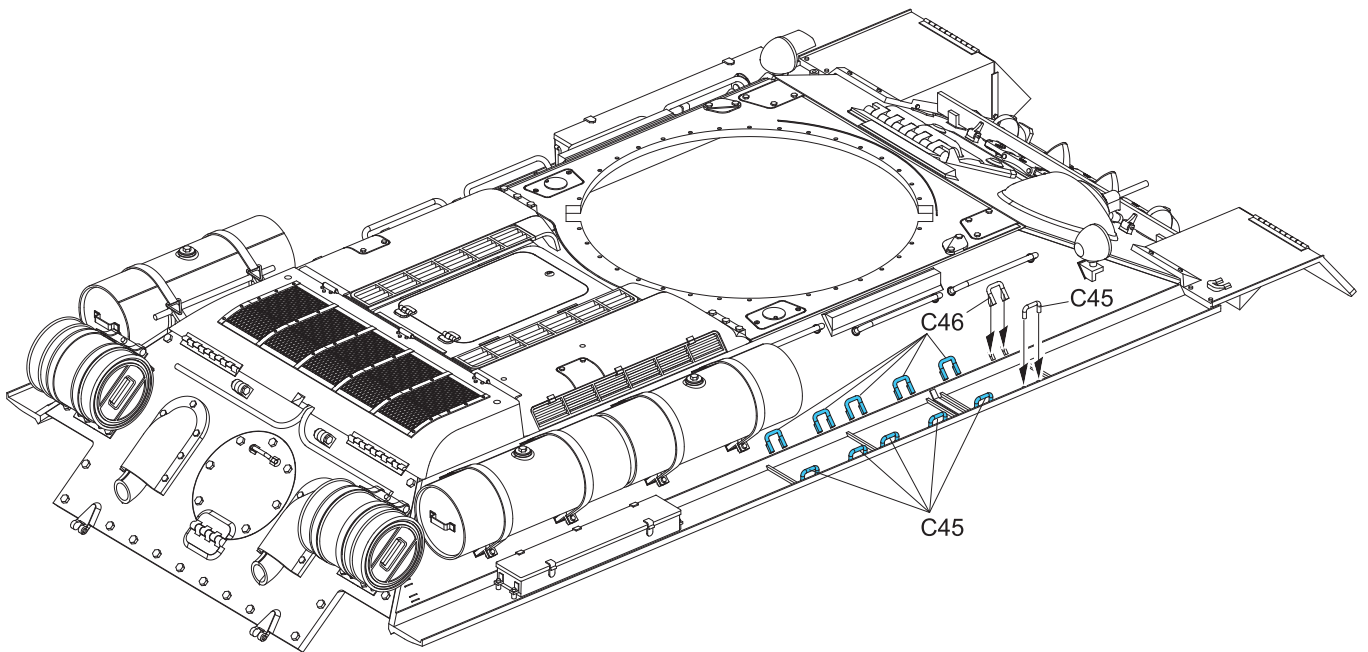




10



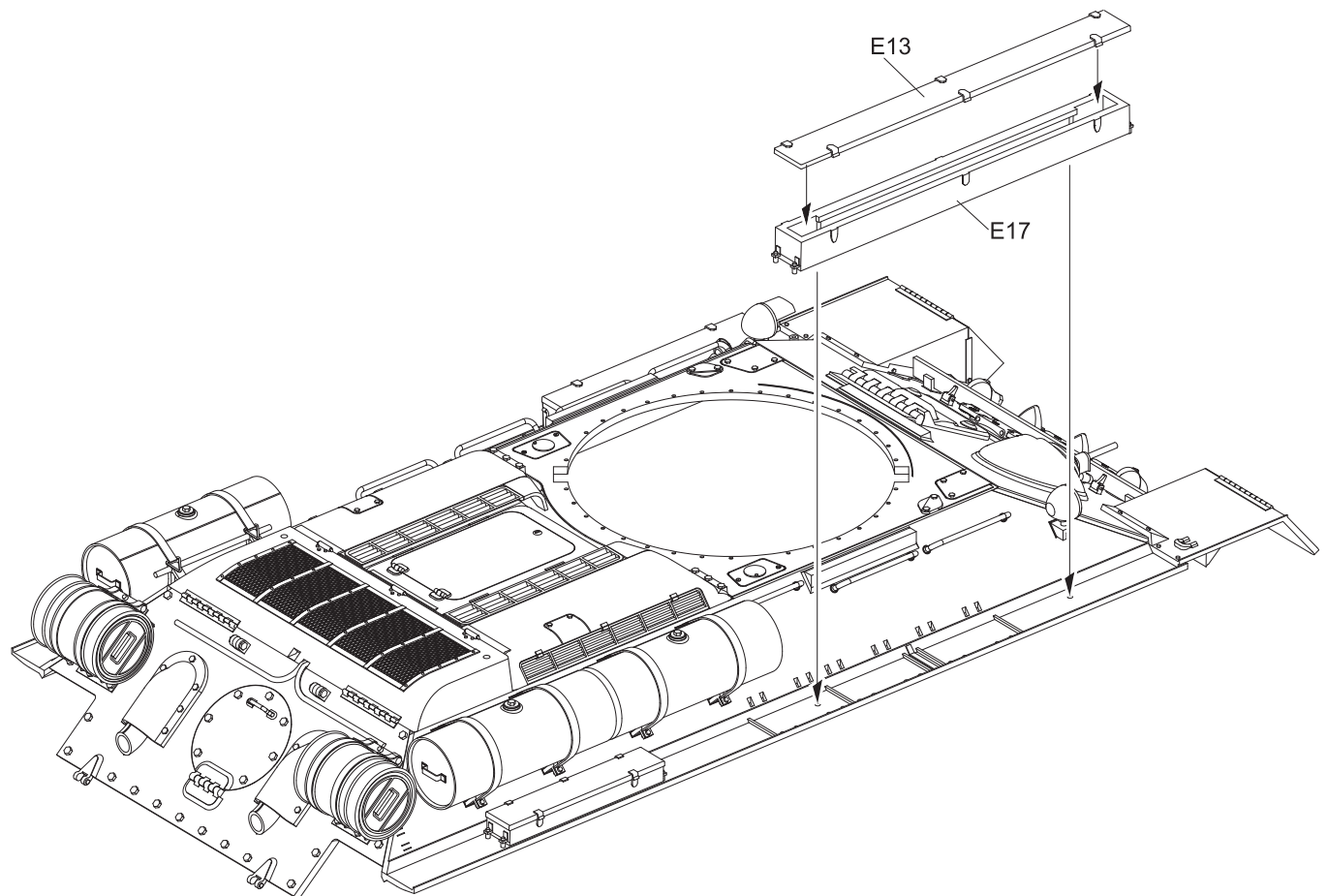
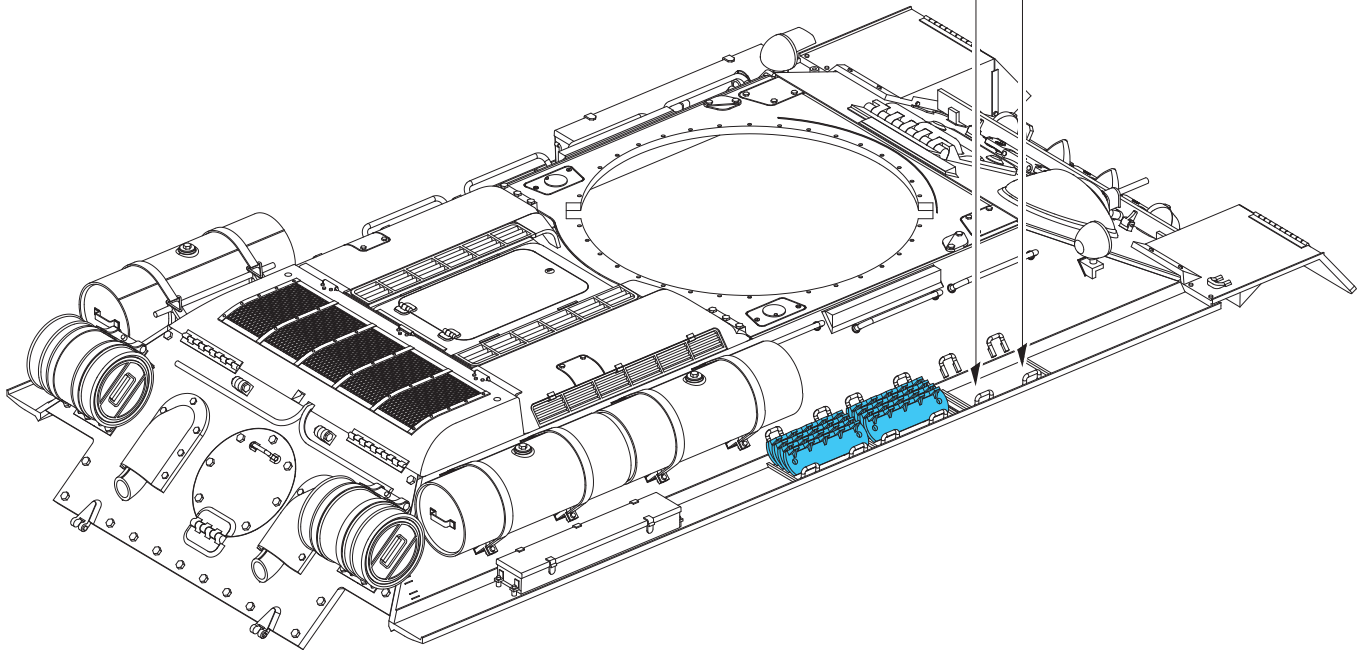
11



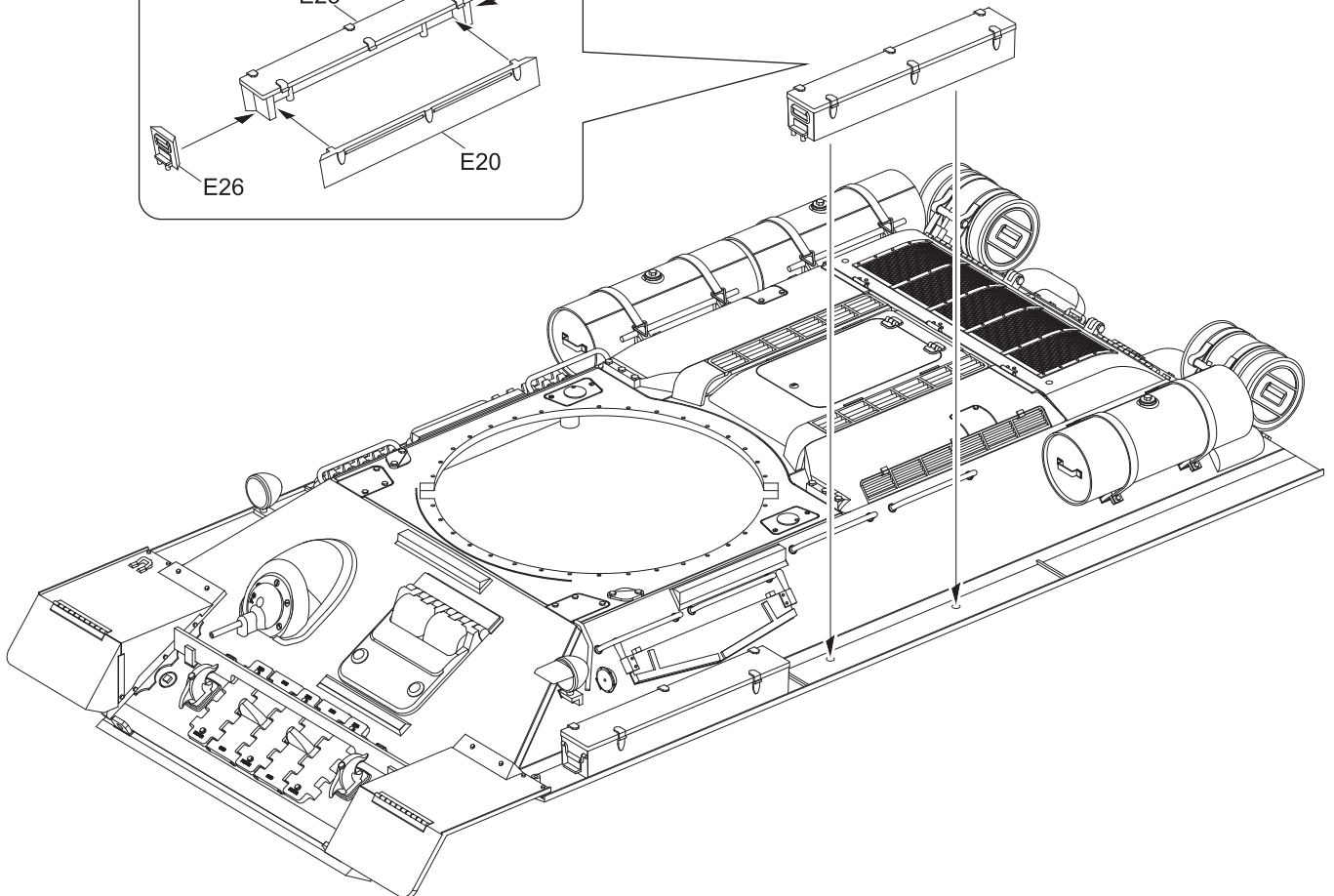
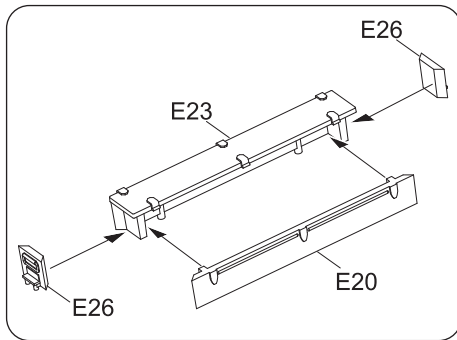
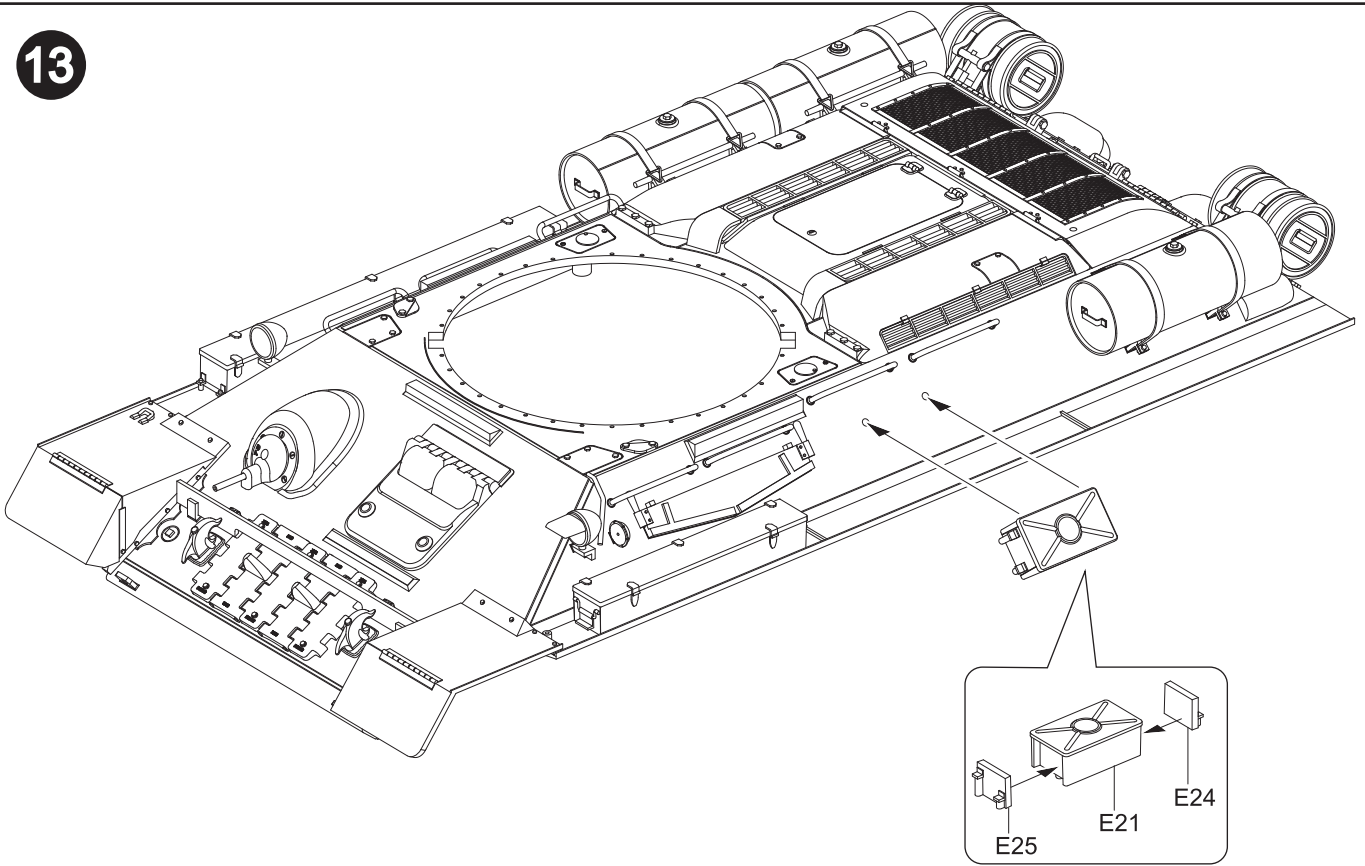
12

Make 3  
制作3组

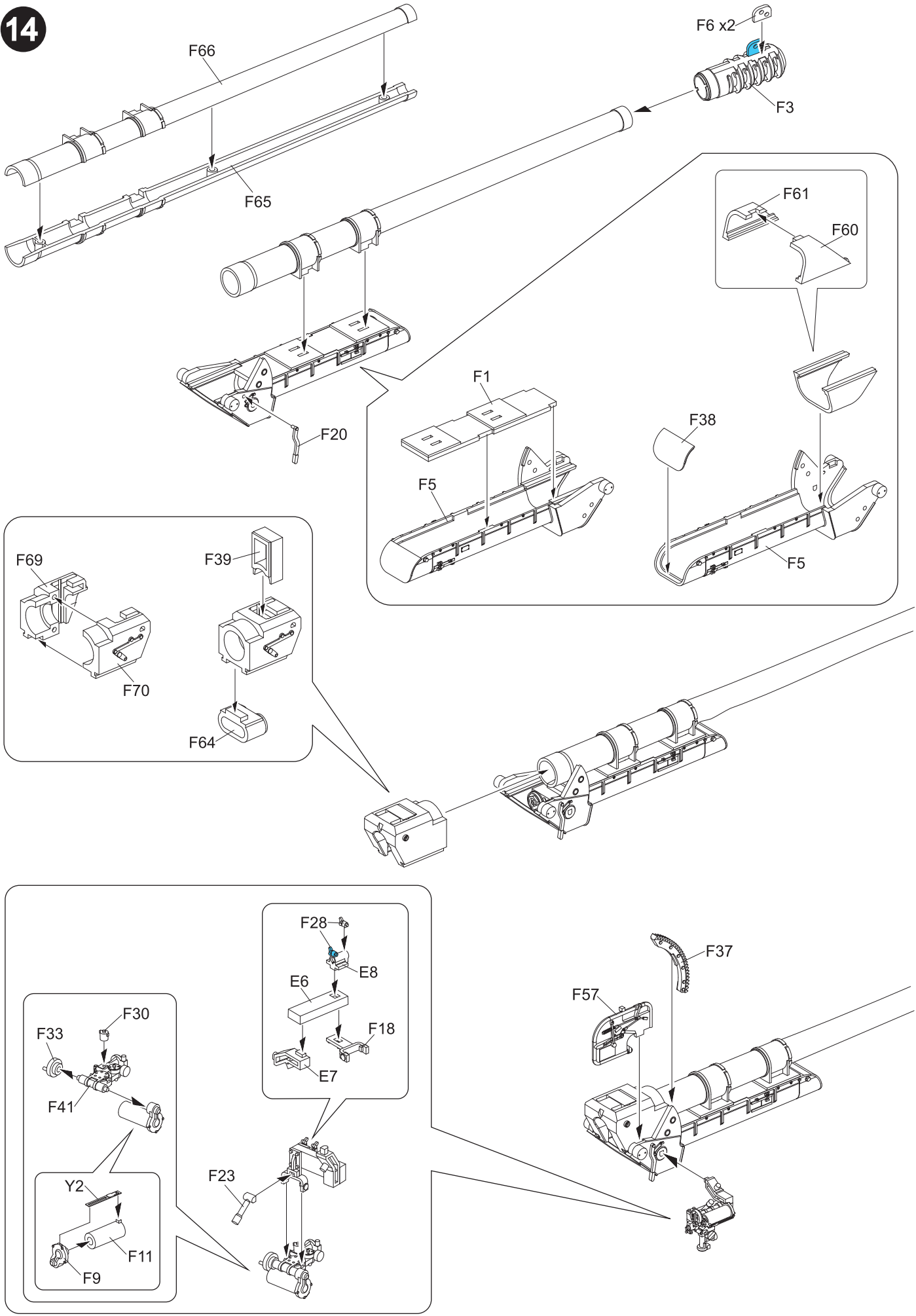
C31x4



13

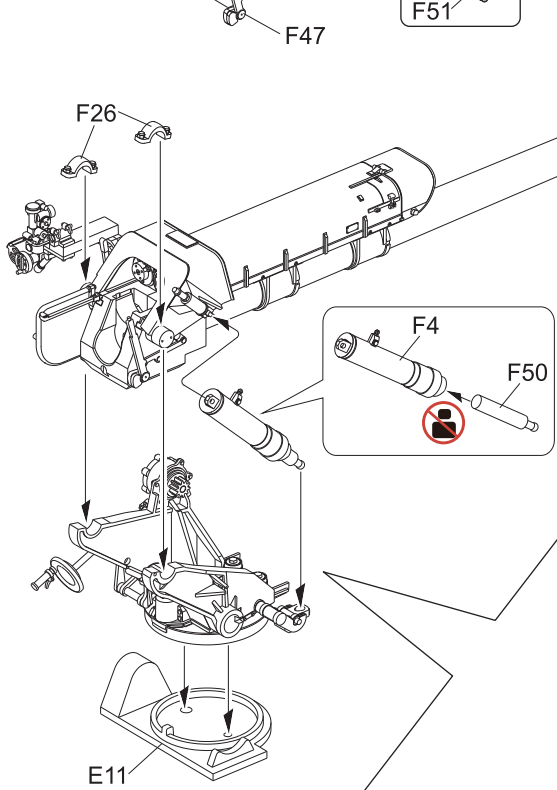
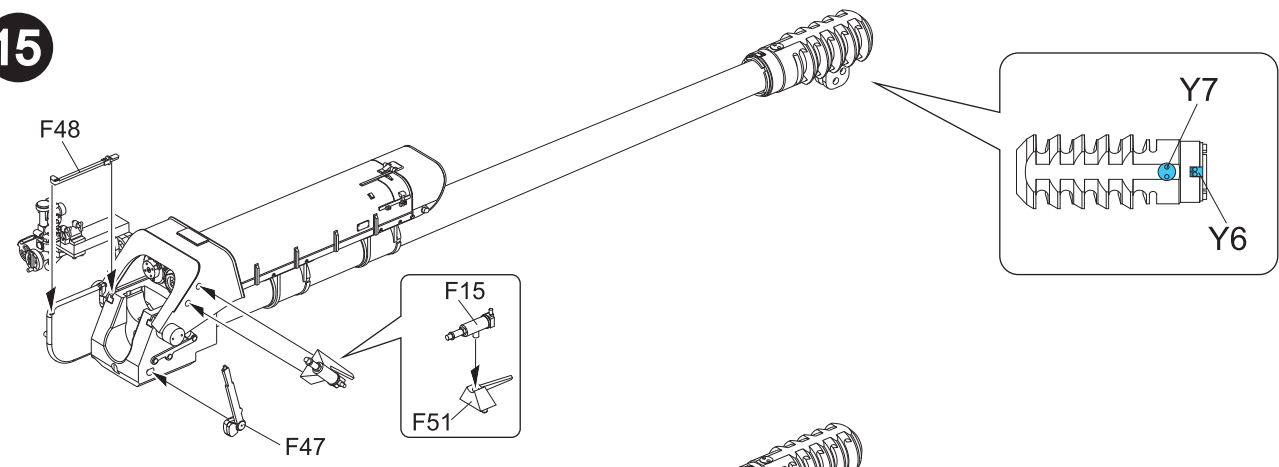


14

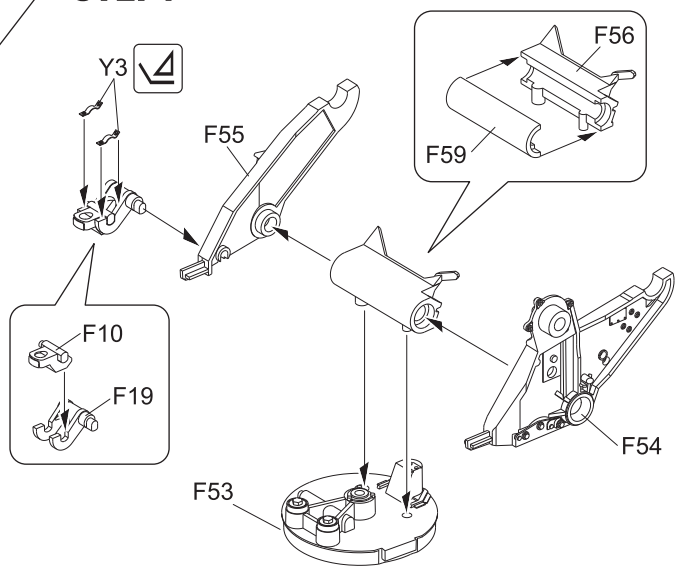




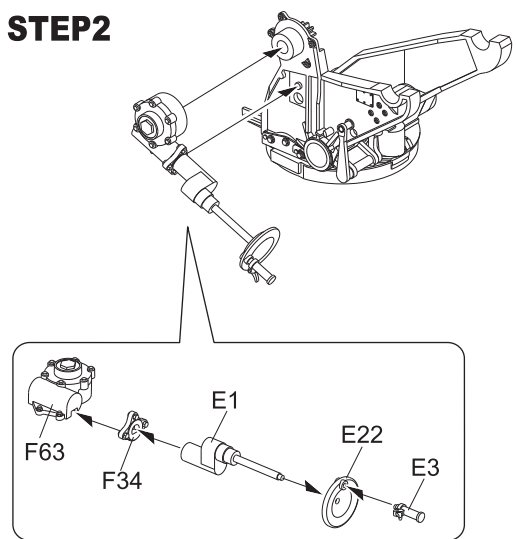
15



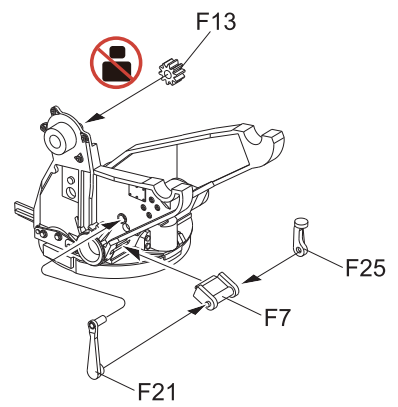
**STEP 1**



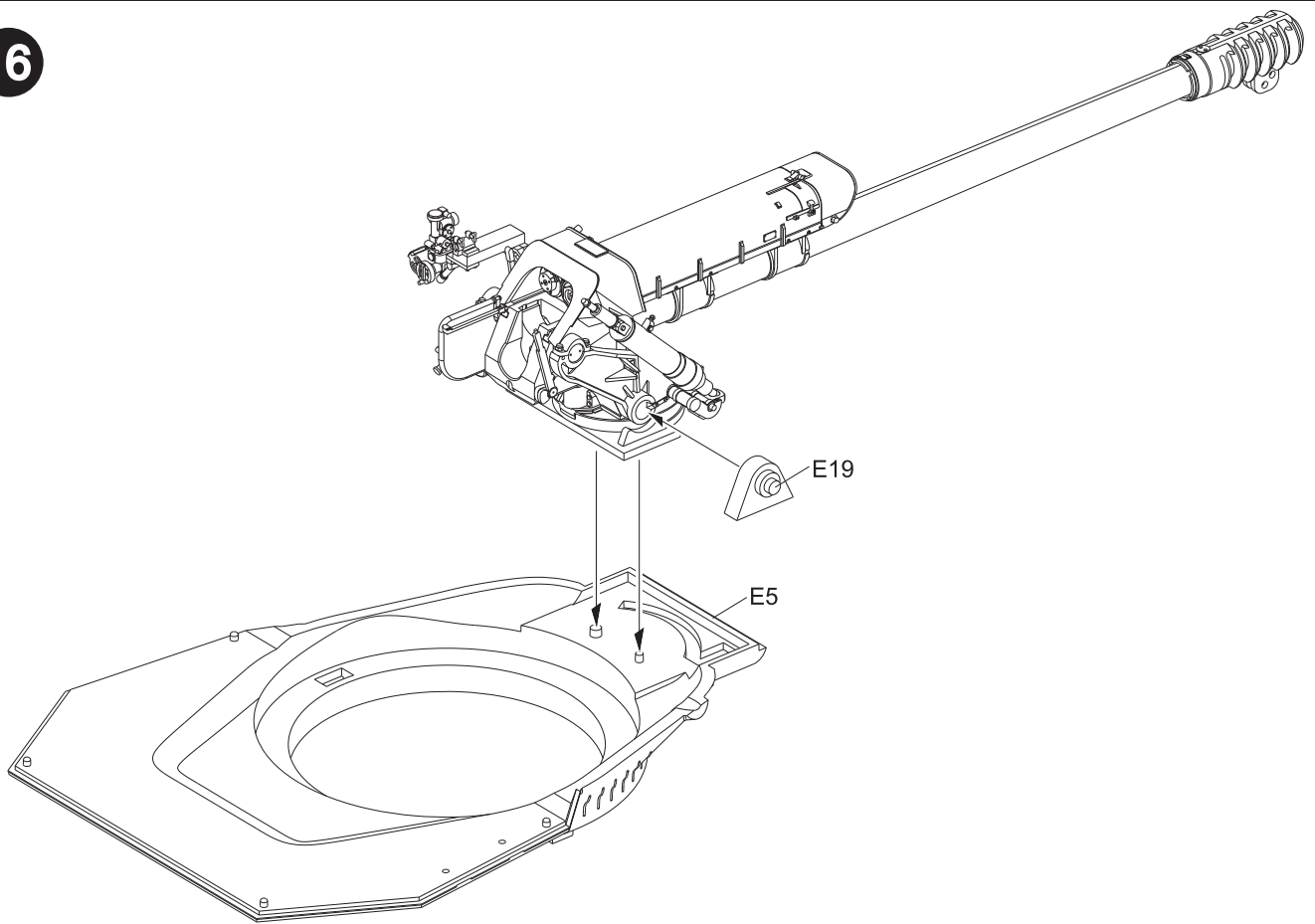
**STEP 2**



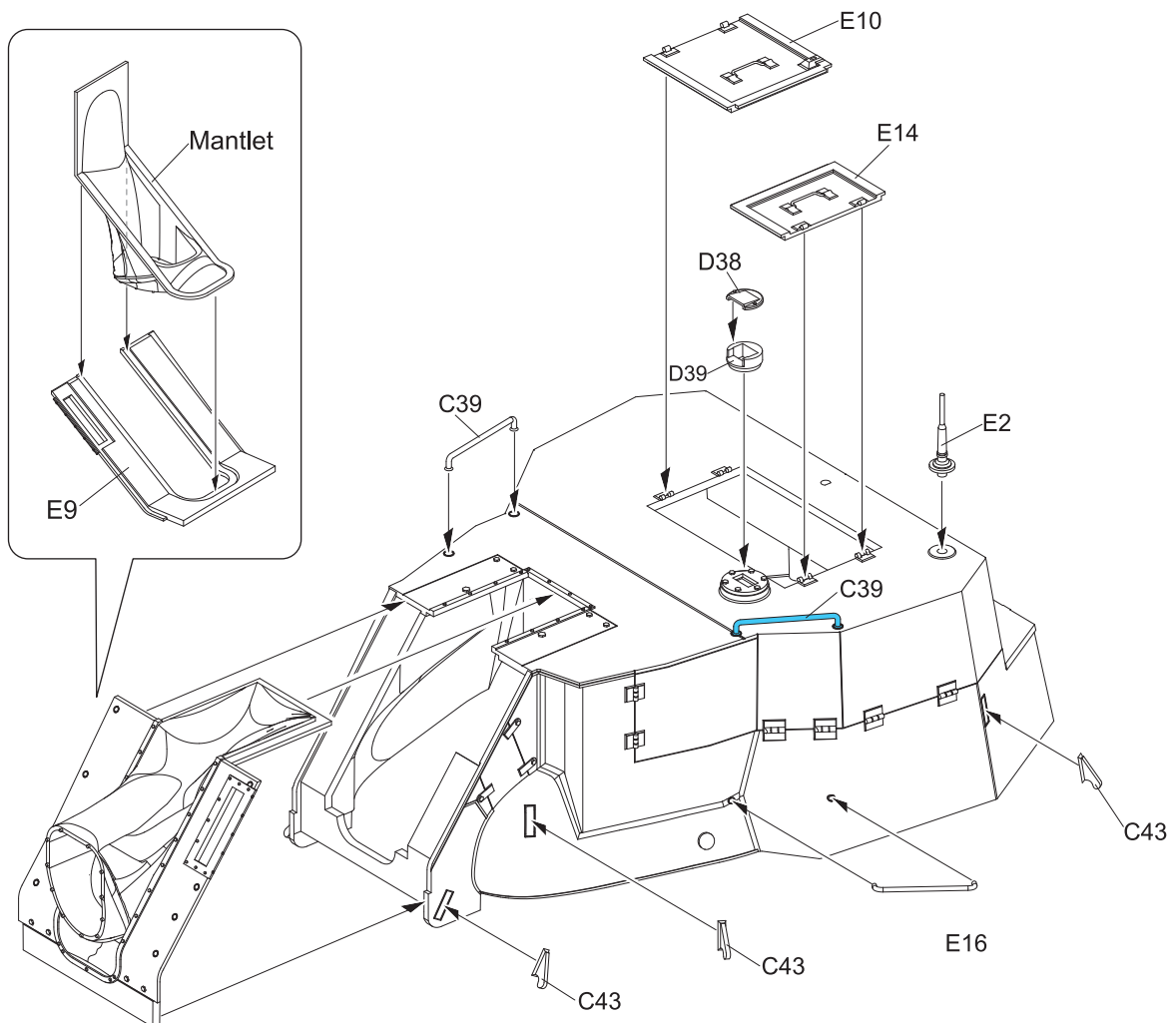
**STEP 3**



16



17



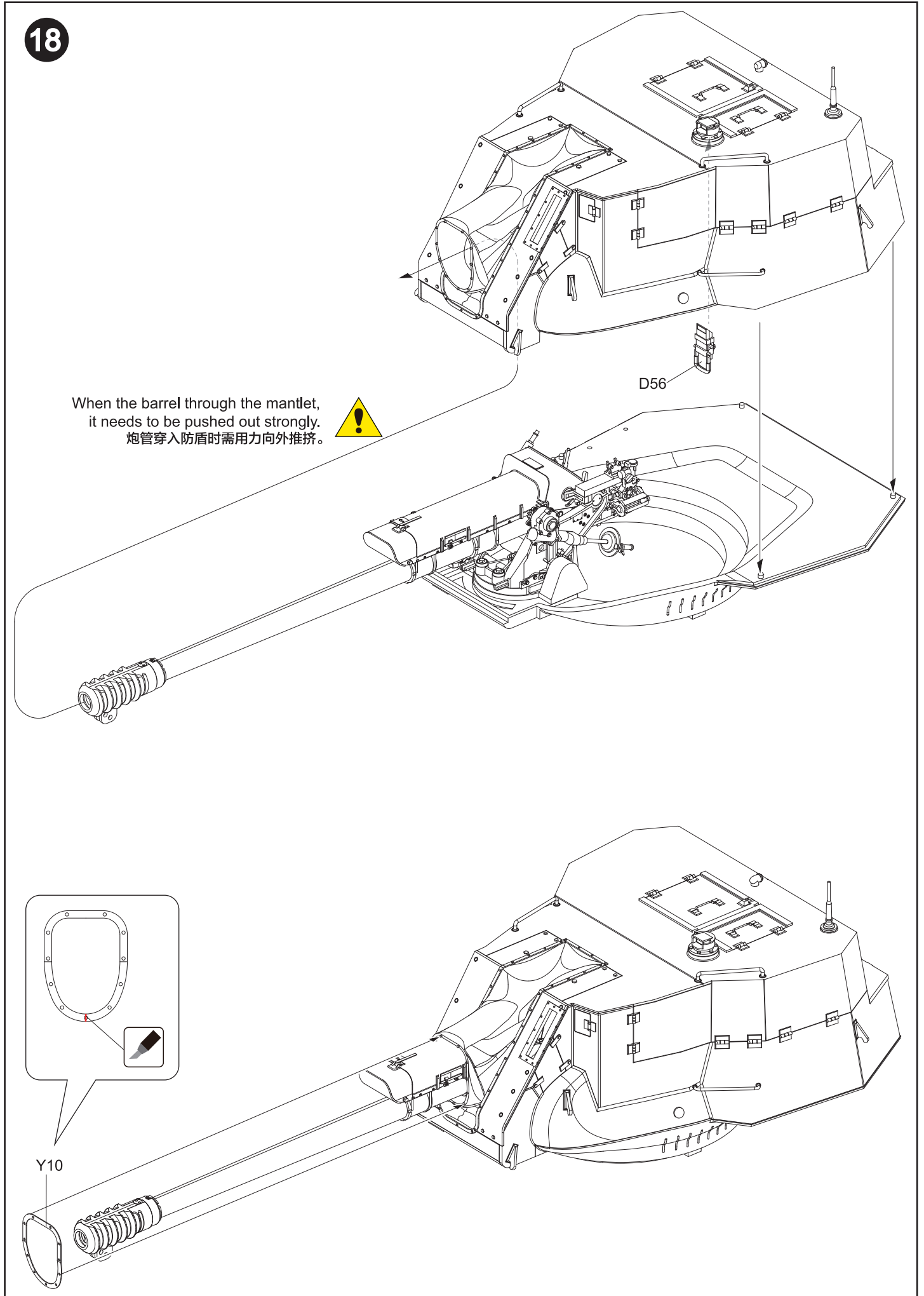
18

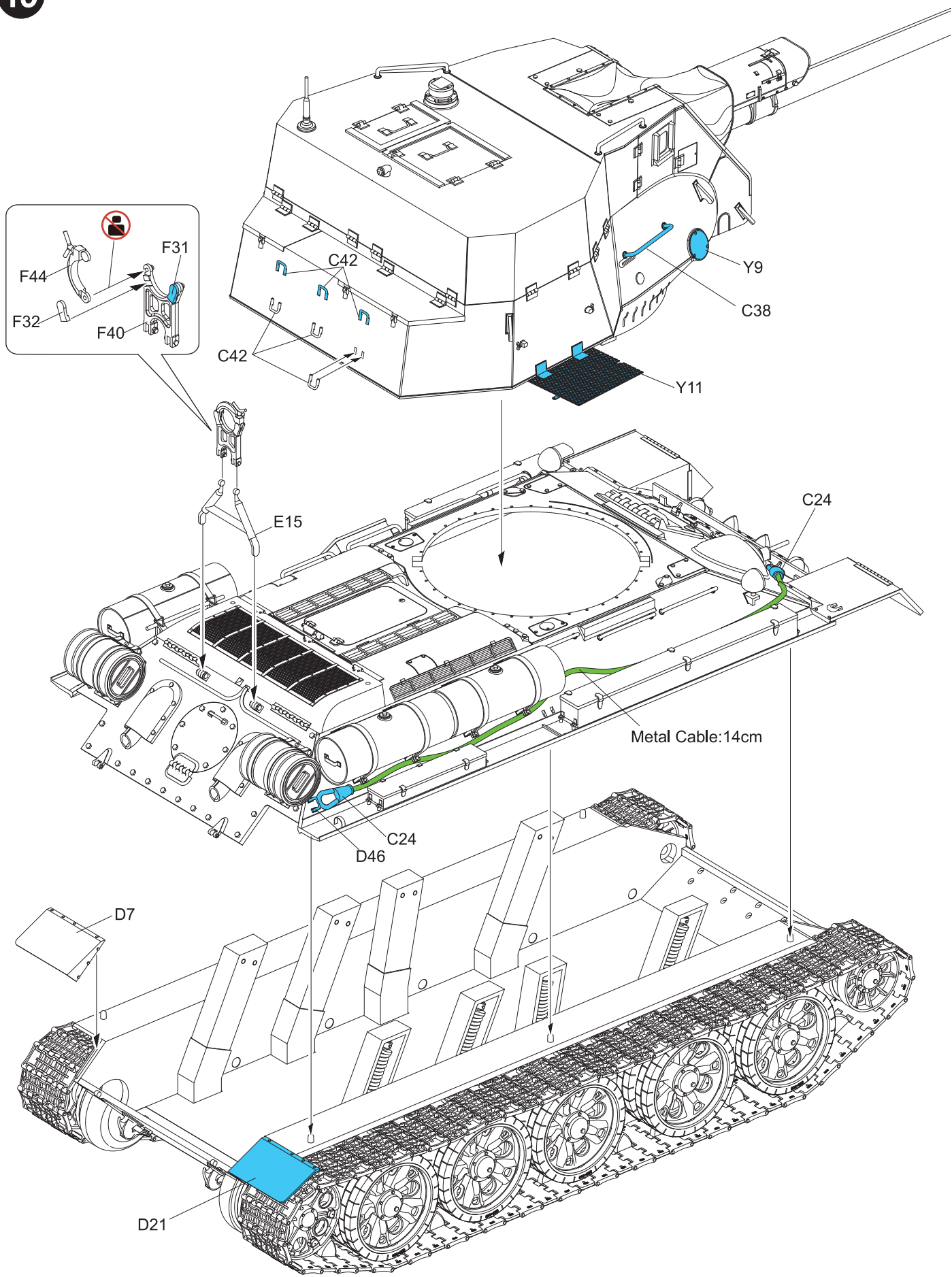
When the barrel through the mantlet,  
it needs to be pushed out strongly.  
炮管穿入防盾时需用力向外推挤。



D56

Y10



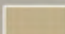
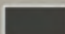
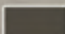
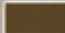

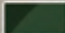
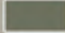







# T34/122

## Painting and Marking Guide

 A.MIG 029 Desert Sand	 A.MIG 033 Rubber & Tires	 A.MIG 035 Dark Tracks
 A.MIG 042 Old Rust	 A.MIG 045 Gun Metal	 A.MIG 096 Crystal Periscope Green
 A.MIG 932 Russian Base	 A.MIG 094 Crystal Glass 50% A.MIG 195 Silver 50%	



### WEATHERING STEPS WITH AMMO PRODUCTS

**1 GENERAL WASH**

A.MIG-1000 Brown Wash for German Yellow

**2 FILTER**

A.MIG-1504 Brown for Desert Yellow

**3 STREAKING**

A.MIG-1203 Streaking Grime

**4 RUST**

A.MIG-3510 Rust

**5 TRACK WASH**

A.MIG-1002 Tracks Wash

**6 DUST**

A.MIG-3002 Light Dust

A.MIG-3003 North Africa Dust


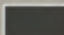
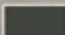
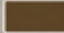


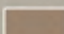


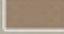
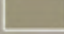

A.MIG-3013 Rubbel





# T34/122

## Painting and Marking Guide

 A.MIG 029 Desert Sand	 A.MIG 033 Rubber & Tires	 A.MIG 035 Dark Tracks
 A.MIG 042 Old Rust	 A.MIG 045 Gun Metal	 A.MIG 096 Crystal Periscope Green
 A.MIG 071 Khaki 50%	 A.MIG 023 Protective Green 50%	 A.MIG 094 Crystal Glass 50%
 A.MIG 2016 Transparator 50%	 A.MIG 2016 Transparator 50%	 A.MIG 195 Silver 50%



### WEATHERING STEPS WITH AMMO PRODUCTS

#### 1 GENERAL WASH

A.MIG-1000 Brown Wash for German Yellow

#### 2 FILTER

A.MIG-1504 Brown for Desert Yellow

#### 3 STREAKING

A.MIG-1203 Streaking Grime

#### 4 RUST

A.MIG-3510 Rust

#### 5 TRACK WASH

A.MIG-1002 Tracks Wash

#### 6 DUST

A.MIG-3002 Light Dust

A.MIG-3003 North Africa Dust

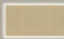
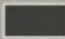
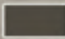
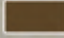

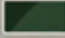

A.MIG-3013 Rubbel

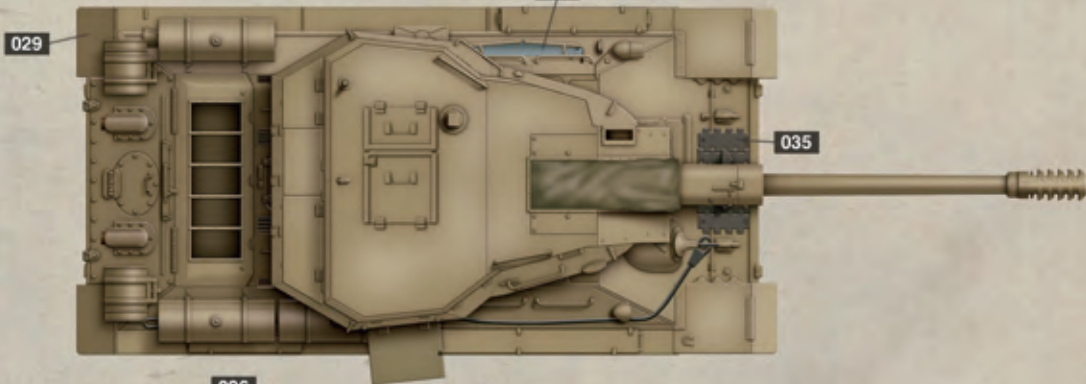
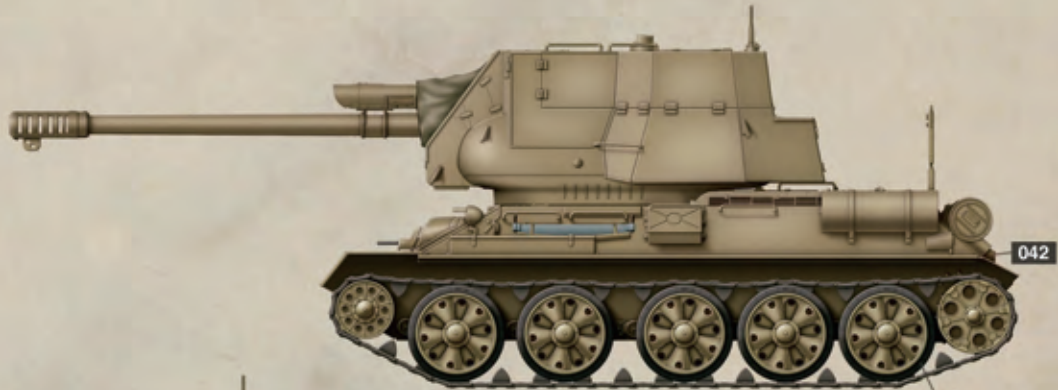




# T34/122

## Painting and Marking Guide

 A.MIG 029 Desert Sand	 A.MIG 033 Rubber & Tires	 A.MIG 035 Dark Tracks
 A.MIG 042 Old Rust	 A.MIG 045 Gun Metal	 A.MIG 096 Crystal Periscope Green
 A.MIG 094 Crystal Glass 50% A.MIG 195 Silver 50%		



### WEATHERING STEPS WITH AMMO PRODUCTS

<b>1 GENERAL WASH</b> A.MIG-1000 Brown Wash for German Yellow	<b>3 STREAKING</b> A.MIG-1203 Streaking Grime	<b>5 TRACK WASH</b> A.MIG-1002 Tracks Wash	<b>6 DUST</b> A.MIG-3002 Light Dust A.MIG-3003 North Africa Dust A.MIG-3013 Rubbel
<b>2 FILTER</b> A.MIG-1504 Brown for Desert Yellow	<b>4 RUST</b> A.MIG-3510 Rust		



FACEBOOK



微信公众号

**RYEFIELD MODELS (HK) CO., LTD.**  
**香港麦田模型玩具有限公司**

Business / 业务与合作: [rfm@ryefield-model.com](mailto:rfm@ryefield-model.com)

Support / 售后支持: [support@ryefield-model.com](mailto:support@ryefield-model.com)

Website / 网站: [www.ryefield-model.com](http://www.ryefield-model.com)

COPYRIGHT © 2018 ALL RIGHTS RESERVED

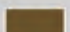




## PANTHER Ausf. G

1944 Production or  
1945 Production

### Painting and Marking Guide

 A.MIG 001 Olivgrün Opt.1	 A.MIG 011 Dunkelgelb AUS '44 DG I	 A.MIG 015 Schokobraun
 A.MIG 033 Rubber & Tires	 A.MIG 035 Dark Tracks	 A.MIG 036 Old Wood
 A.MIG 038 Light Wood	 A.MIG 045 Gun Metal	 A.MIG 096 Crystal Periscope Green

*Kampfgruppe Pz.Brig. 106 FHH, Bonn, March 1945*



#### WEATHERING STEPS WITH AMMO PRODUCTS

- |  |  |   |   |
|--|--|---|---|
| <b>1 GENERAL WASH</b><br>A.MIG-1000 Brown Wash for German Yellow | <b>3 STREAKING</b><br>A.MIG-1208 Rainmarks Effects | <b>5 TRACK WASH</b><br>A.MIG-1002 Tracks Wash | <b>7 MUD</b><br>A.MIG-1751 Dry Steppe A.MIG-1703 Moist Ground |
| <b>2 FILTER</b><br>A.MIG-1510 Tan for 3 tone camo                | <b>4 CHIPPING</b><br>A.MIG-0044 Chipping           | <b>6 DUST</b><br>A.MIG-3013 Rubbel            | <b>8 GREASE &amp; OIL</b><br>A.MIG-1408 Fresh Engine Oil      |